

A30 ALUMINIUM BULKHEAD

RESTRICTED APPLICATION

MATERIAL: FyreWrap LT Blanket

INSULATION: 1 layer of FyreWrap LT Blanket 40mm x 70 kg/m³ density over bulkhead plate and stiffeners.

INSTALLATION: The blanket is held by ø3mm steel welded pins and speed clips.

The blanket is wrapped around the stiffeners following the profile of the aluminum structure.

The blanket will be installed horizontally.

WEIGHT: 2.80kg/m²

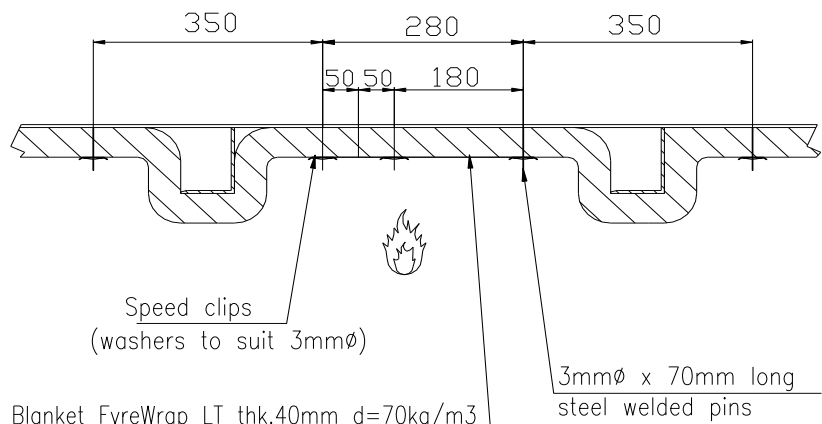
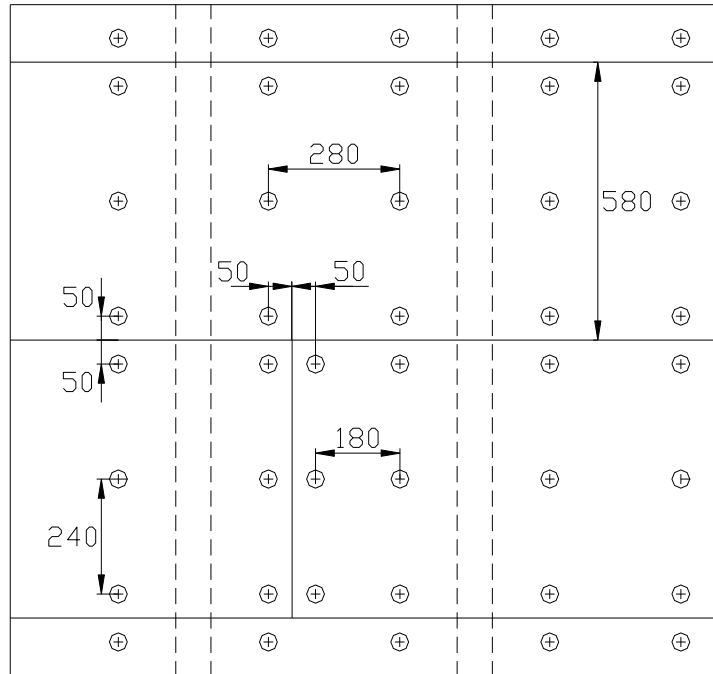
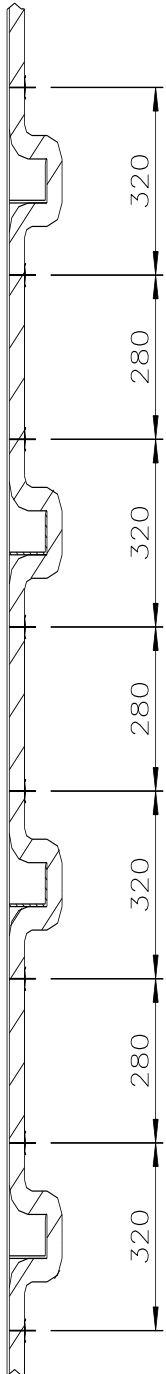
CERTIFICATION: Lloyds Register - MED 1850100
- SAS F180135

This is a legal document and Unifrax own the copyright. Under no circumstances should this document be changed in any way without prior agreement from Unifrax.

Drawing Ref:

1214-R3-11 Rev. 2

June 2018



Blanket FyreWrap LT thk.40mm d=70kg/m³
610 mm wide compressed to 580 mm

This is a legal document and Unifrax own the copyright. Under no circumstances should this document be changed in any way without prior agreement from Unifrax.

**FIRE PROTECTION WITH
INTEGRITY AND TRUST**

