

A60 ALUMINIUM DECK

MATERIAL: FyreWrap LT Blanket

INSULATION: 1 layer of FyreWrap LT Blanket 50mm x 70 kg/m³
density over deck plate and stiffeners.

INSTALLATION: The blanket is held by ø3mm steel welded pins and
speed clips.

The blanket is wrapped around the stiffeners
following the profile of the aluminum structure.

The blanket will be installed horizontally.

WEIGHT: 3.50kg/m²

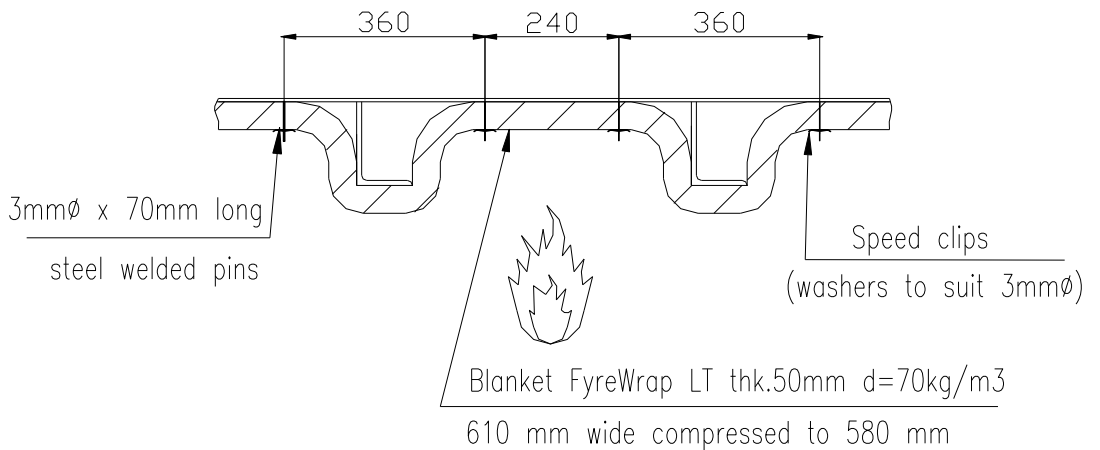
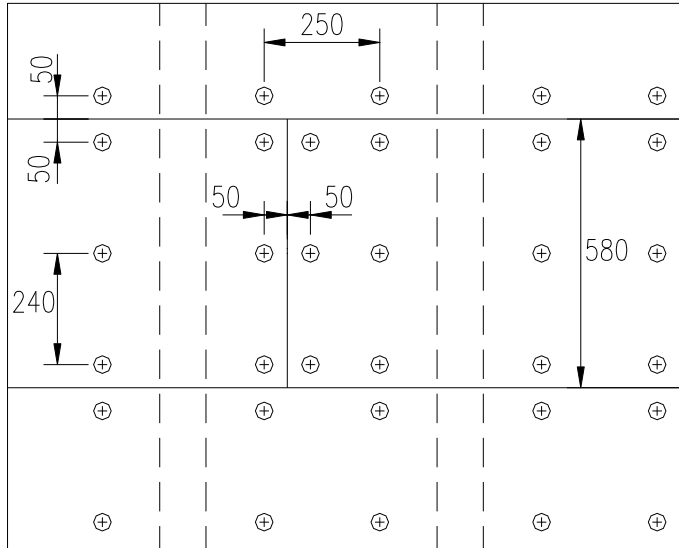
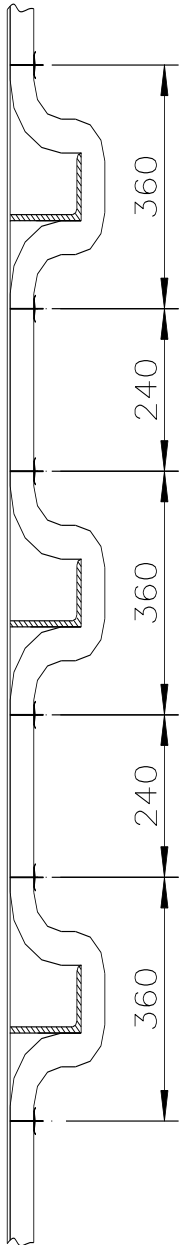
CERTIFICATION: Lloyds Register - MED 1850101
- SAS F180136

This is a legal document and Unifrax own the copyright. Under no circumstances should this document be changed in any way without prior agreement from Unifrax.

Drawing Ref:

1217-R3-11 Rev. 2

June 2018



This is a legal document and Unifrax own the copyright. Under no circumstances should this document be changed in any way without prior agreement from Unifrax.

**FIRE PROTECTION WITH
INTEGRITY AND TRUST**

