

H60 Steel Bulkhead Restricted Application

| | |
|-----------------------|---|
| MATERIAL: | FyreWrap [®] LT Blanket |
| INSULATION: | 2 layers of FyreWrap LT Blanket 40mm x 70 kg/m ³ 2 strips of 210mm wide blanket installed vertically over the stiffeners |
| INSTALLATION: | The blanket is held by ø3mm steel welded pins and speed clips. Steel welded pins are typ. 180 mm long. The first and second layers is installed vertical between the stiffeners of the steel structure. |
| WEIGHT: | 5.60 kg/m ² |
| CERTIFICATION: | Lloyds Register - SAS F180148 |

This is a legal document and Unifrax own the copyright. Under no circumstances should this document be changed in any way without prior agreement from Unifrax.

Drawing Ref:

1371-R3-08 Rev. 2

July 2018

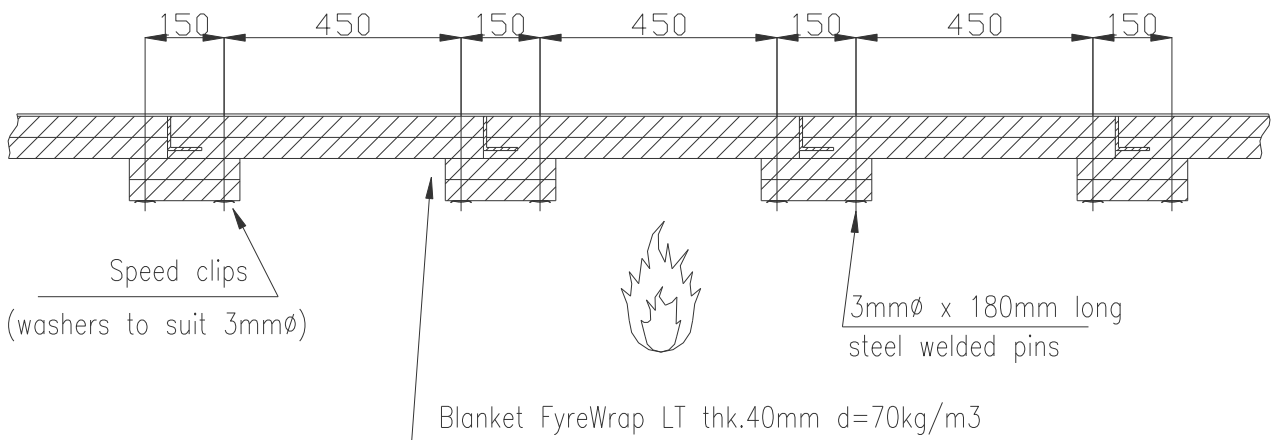
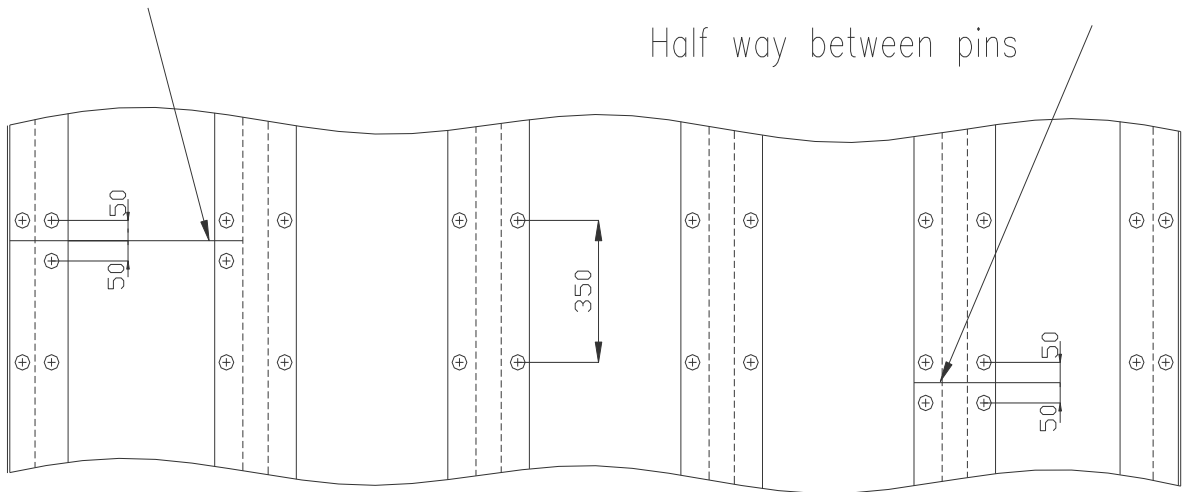


Typical joint in second layer –

Half way between pins

Typical joint in second stiffener layer –

Half way between pins



This is a legal document and Unifrax own the copyright. Under no circumstances should this document be changed in any way without prior agreement from Unifrax.

**FIRE PROTECTION WITH
INTEGRITY AND TRUST**

