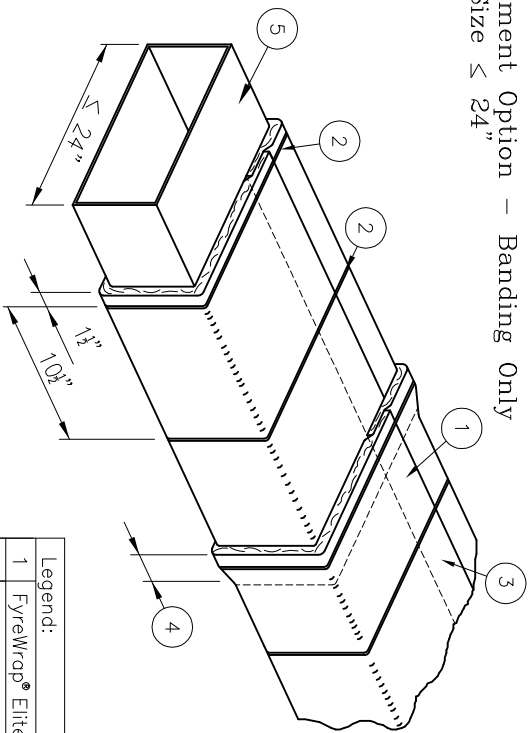
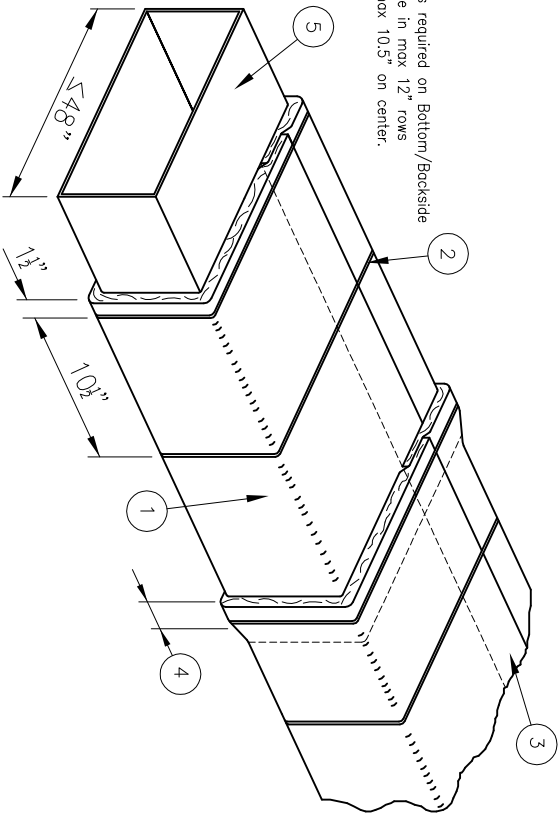


FyreWrap® Elite® 1.5 Duct Insulation – Single layer
 Air Distribution System (ADS)
 1 and 2 Hour Fire Rated Enclosure

Attachment Option – Banding Only
 Duct Size $\leq 24"$



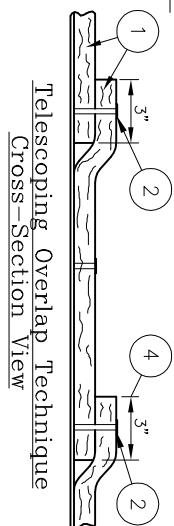
Attachment Option – Banding and Pins
 Duct Size $\leq 48"$



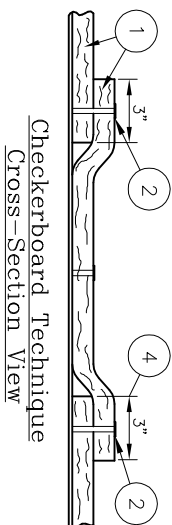
Note: Pins required on Bottom/Backside only. Place in max 12" rows Spaced max 10.5" on center.

Legend:

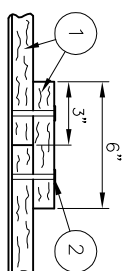
1	FyreWrap® Elite® 1.5 Duct Insulation, One Layer
2	Steel Bands and Clips
3	3" Minimum Longitudinal Overlap
4	3" Minimum Perimeter Overlap
5	Minimum 26 ga. and built per SMACNA HVAC Duct Construction Standards
6	Weld Pin and Speed Clip



Telescoping Overlap Technique
 Cross-Section View

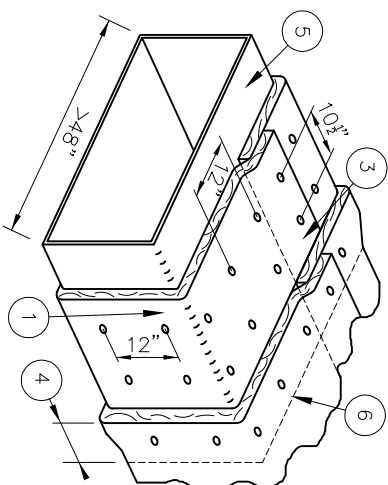


Checkerboard Technique
 Cross-Section View



Butt Joint & Collar Technique
 Cross-Section View

Attachment Option – Pins Only
 Duct Size $> 48"$



Revisions	Comments
A01-27-11	
A06-03-15	
A07-31-17	

LOCATION -	DATE - 07-31-2017	DRAWING NO. FP-455R3
BLDG. NO. -	ENGINEER S.A. Rustoy	PROJECT NO.
DRAWN - S.A. Rustoy	APPROVAL -	
SCALE - N.T.S.	SIGNED -	