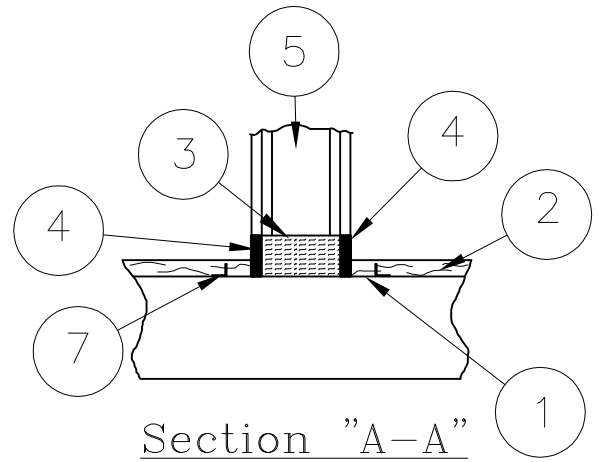
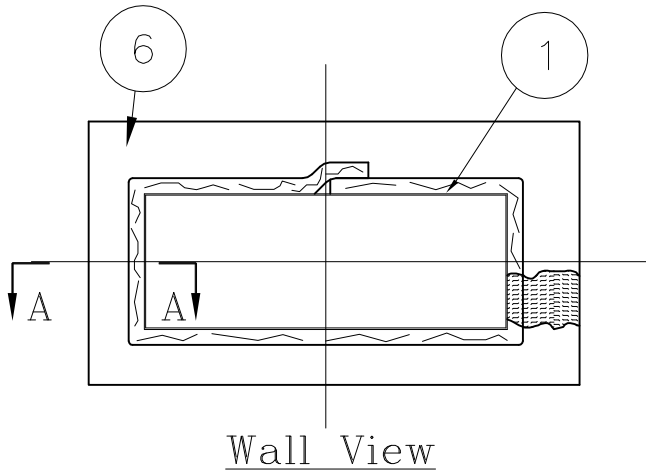


FyreWrap® Elite® 1.5 Duct Insulation Through Penetration Wall Systems

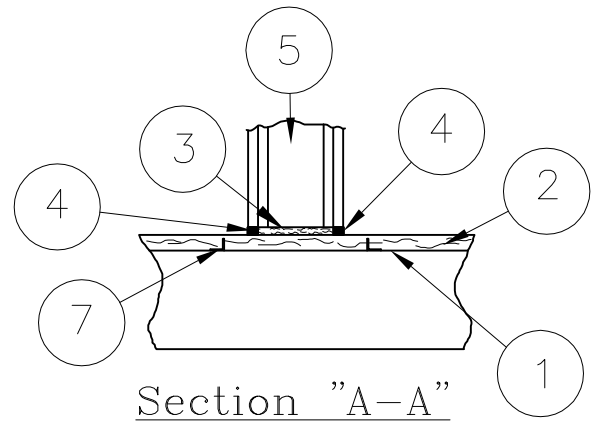
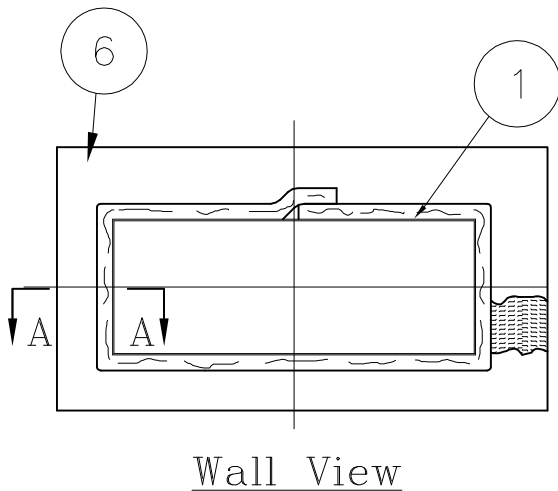
Intertek (OPL) Design No. UNI/PHV 120-03, UNI/PHV 120-04

ASTM E814

- F Rating - 2 Hr
- T Rating - 2 Hr



Duct Wrap Insulation Terminated at Wall



Duct Wrap Insulation Continued Through Wall

Legend:	
1	Air Duct, min. 26 gauge, 1296in ² area, 54" max width, and built per SMACNA HVAC Duct Construction Standards
2	FyreWrap® Elite® 1.5 Duct Insulation, One Layer
3	Unfaced FyreWrap® Elite® 1.5 (Compressed 33%+, recessed ½" on each side)
4	Firestop Sealant, ½" depth, overlapping on gypsum board and duct min. 1" 3M Fire Barrier 1000NS or Hilti FS-ONE or STI SpecSeal SSS or Tremco FyreSil
5	Gypsum Board Wall Assembly, 2 Hr. rated
6	Annular space, 1" to 1½"
7	Duct Reinforcement, 1"x1"x½" steel angle on all four sides of duct and located on both sides of wall.