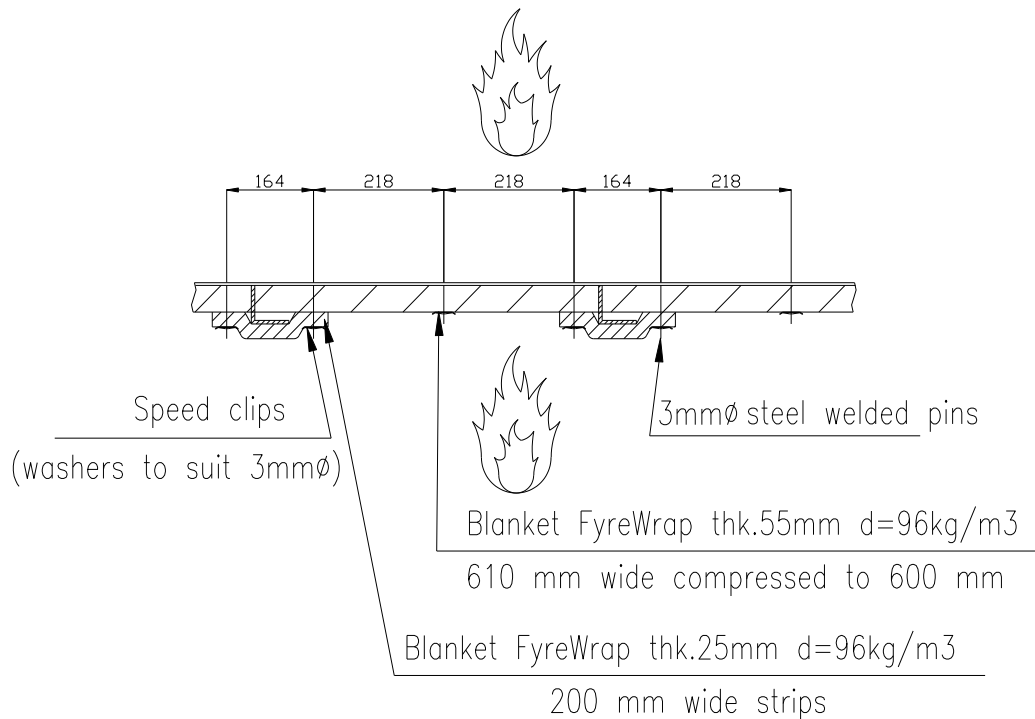
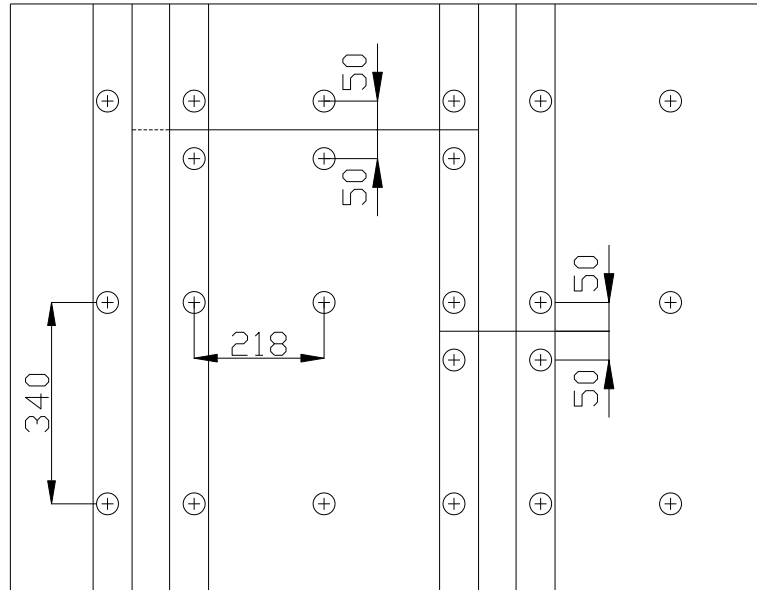
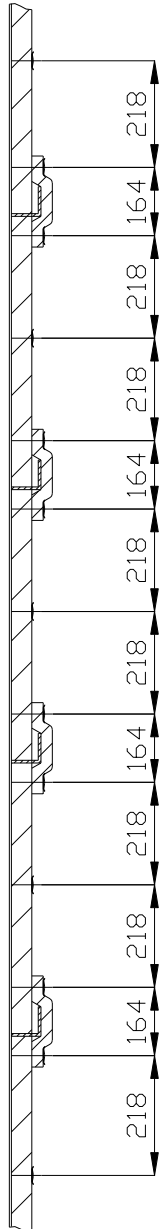


A60 STEEL BULKHEAD

- MATERIAL:** FyreWrap® Blanket
Grade S, SF, SFR, SG or WR variants.
- INSULATION:** 1 layer of FyreWrap® Blanket 55mm x 96 kg/m³
density over flat plate.
- 1 layer of FyreWrap® Blanket 25mm x 96 kg/m³
density over the stiffeners in 200mm strips.
- INSTALLATION:** The blanket is held by ø3mm x 100 mm long (75 mm
between stiffeners) steel welded pins and speed clips.
- The blanket will be installed vertically.
- WEIGHT:** 5.28kg/m²
- CERTIFICATION:** DNV.GL TAF00000BD
DNV.GL MEDB000009S

This is a legal document and Unifrax own the copyright. Under no circumstances should this document be changed in any way without prior agreement from Unifrax.



This is a legal document and Unifrax own the copyright. Under no circumstances should this document be changed in any way without prior agreement from Unifrax.

**FIRE PROTECTION WITH
 INTEGRITY AND TRUST**

