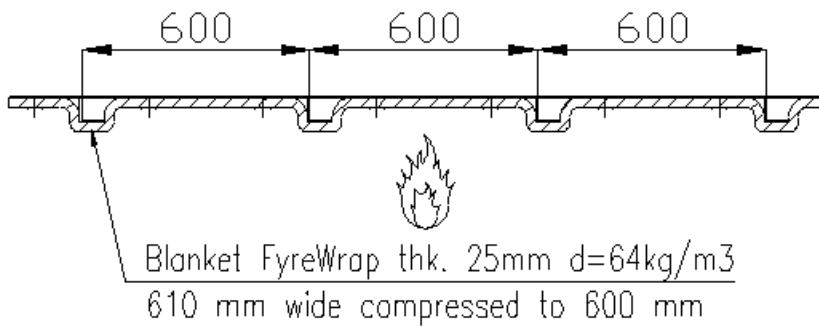
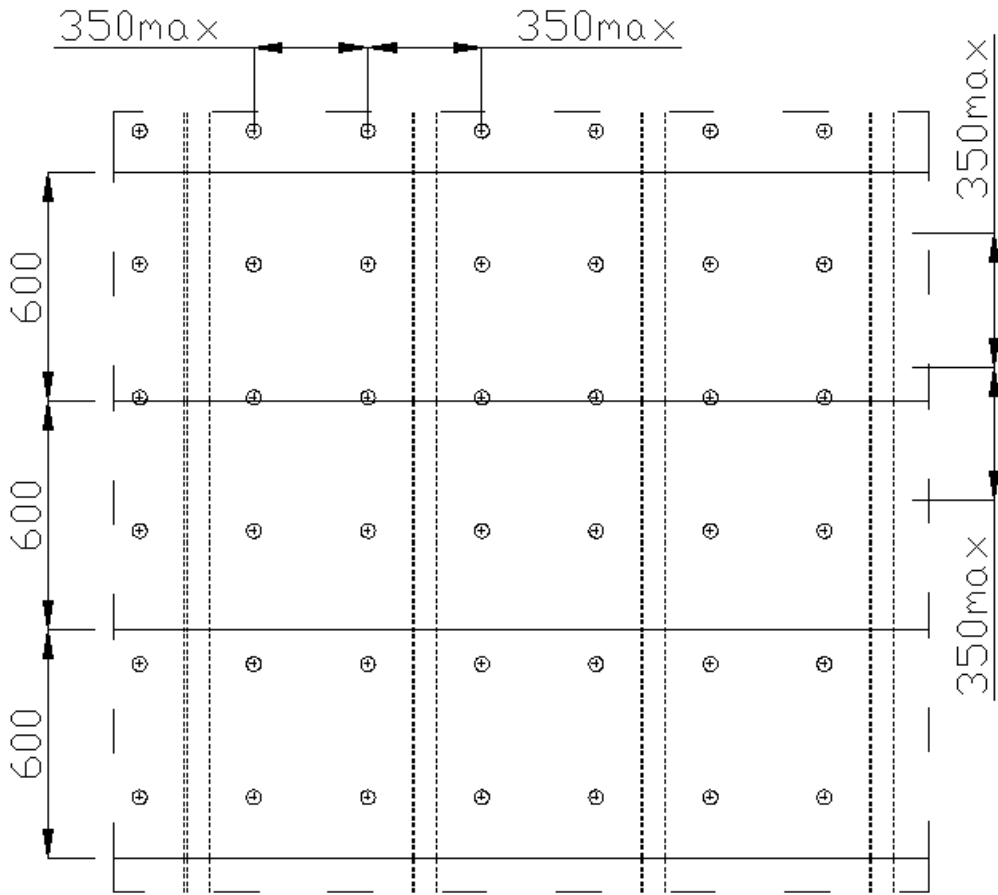


A30 STEEL BULKHEAD (Restricted Application)

- MATERIAL:** FyreWrap[®] Blanket
Grade S, SF, SFR, SG or WR variants.
- INSULATION:** 1 layer of FyreWrap Blanket 25mm x 64 kg/m³
density.
- INSTALLATION:** The blanket is held by ø3mm x 40 mm steel welded
pins and speed clips.
- The blanket is installed horizontally
- WEIGHT:** 1.6 kg/m²
- CERTIFICATION:** Lloyds Register - MED 1850069
- SAS F180105

This is a legal document and Unifrax own the copyright. Under no circumstances should this document be changed in any way without prior agreement from Unifrax.



This is a legal document and Unifrax own the copyright. Under no circumstances should this document be changed in any way without prior agreement from Unifrax.

**FIRE PROTECTION WITH
INTEGRITY AND TRUST**

