

Drawing Ref:

FP-H7R6

October 2021

**FyreWrap**<sup>®</sup>

## H120 BULKHEAD

### General Application – Fire to Either Side

**MATERIAL:** FyreWrap<sup>®</sup> Blanket  
Grade S, SF, SFR, SG or WR variants.

**INSULATION:** 1 x layer of 50mm thick blanket between stiffeners. 2 x layers of 50mm thick blanket profile wrapped over the stiffeners. 1 x strip of 25mm thick blanket, 300mm wide over each stiffener.

**INSTALLATION:** The blanket is held by Ø3mm steel welded pins and spring washers. The blankets are wrapped around the stiffeners following the profile of the steel structure.

**WEIGHT:** 19.2 kg/m<sup>2</sup>

**CERTIFICATION:** LR21310617SF

This is a legal document and Unifrax own the copyright. Under no circumstances should this document be changed in any way without prior agreement from Unifrax.

Unifrax Limited  
Mill Lane, Rainford, St. Helens  
Merseyside  
England  
WA11 8LP

Tel: +44 (0)1744 887600  
www.unifrax.com

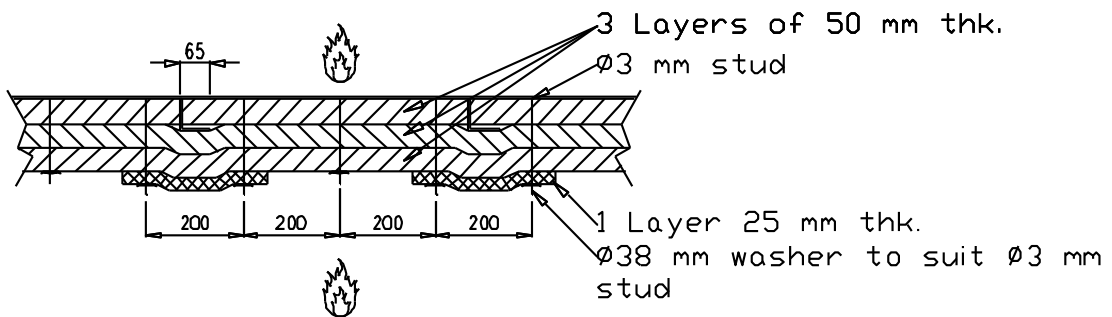
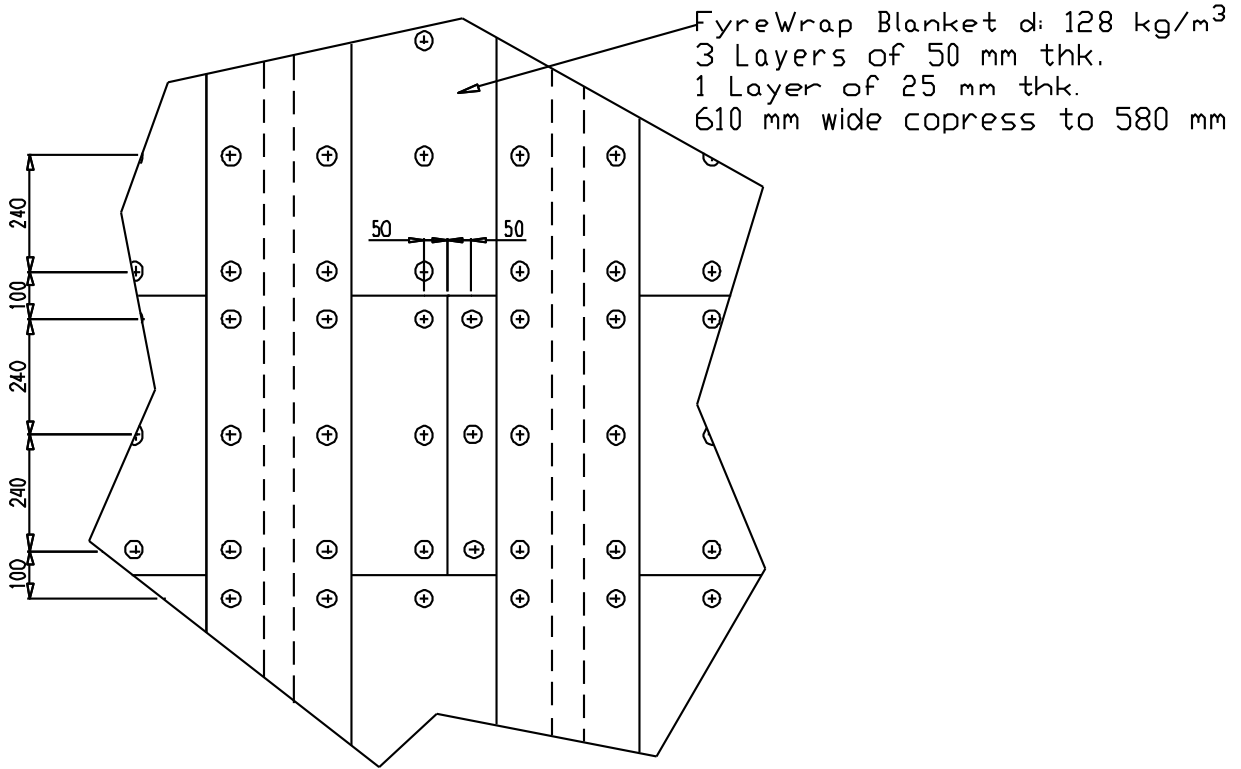


Drawing Ref:

FP-H7R6

October 2021

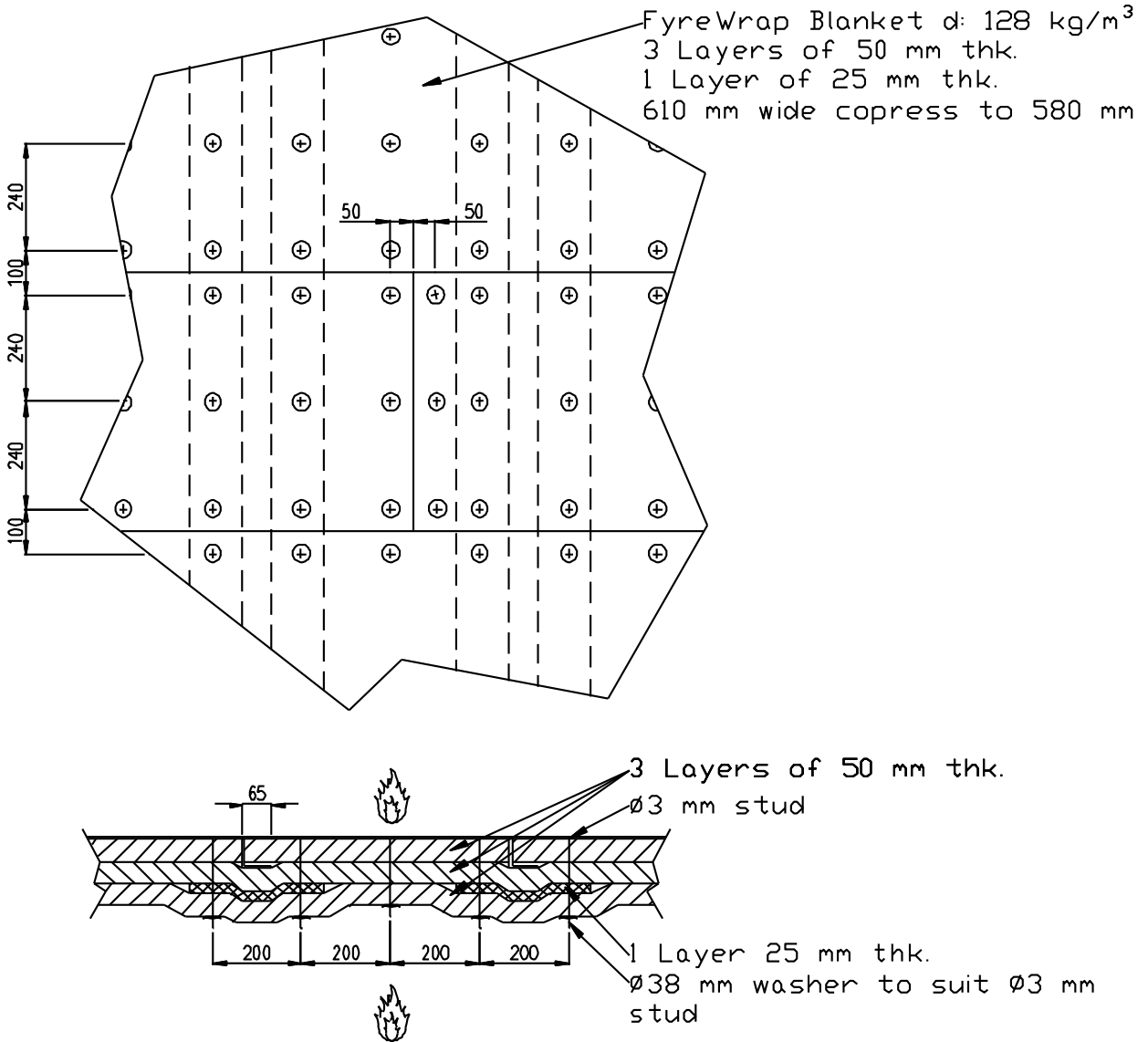
# FyreWrap®



This is a legal document and Unifrax own the copyright. Under no circumstances should this document be changed in any way without prior agreement from Unifrax.

**FIRE PROTECTION WITH  
INTEGRITY AND TRUST**

## Alternative installation



This is a legal document and Unifrax own the copyright. Under no circumstances should this document be changed in any way without prior agreement from Unifrax.

**FIRE PROTECTION WITH  
INTEGRITY AND TRUST**

