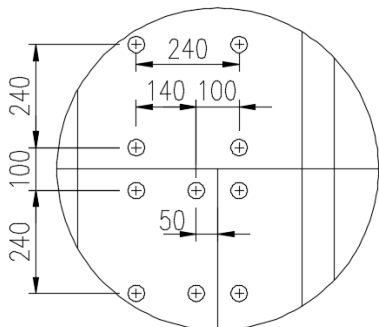
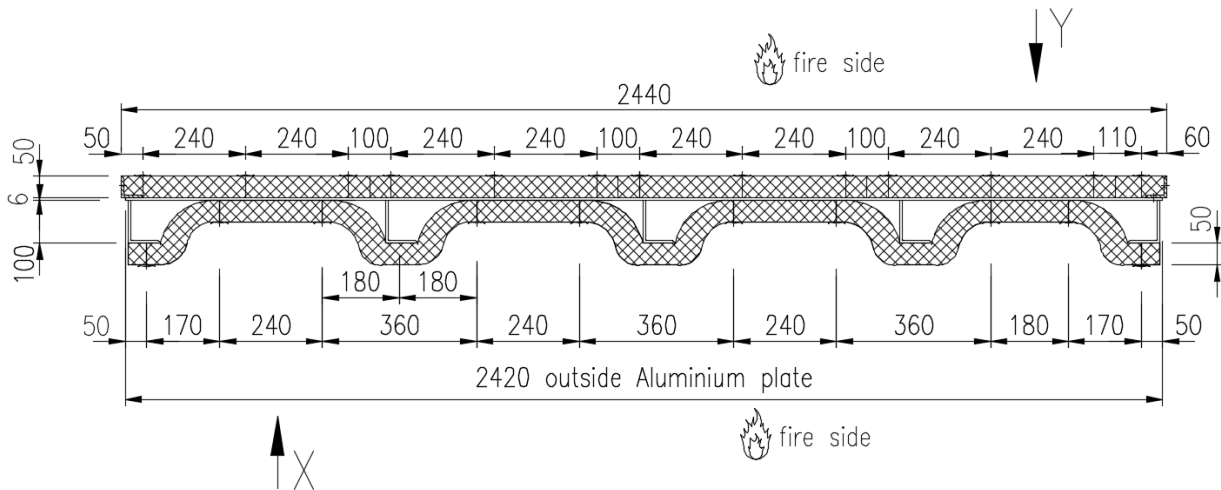


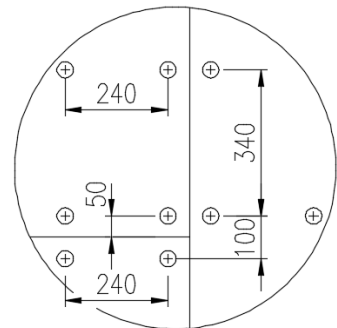
## **A60 ALUMINIUM BULKHEAD (GENERAL APPLICATION - FIRE TO EITHER SIDE)**

- MATERIAL:** FyreWrap® Blanket  
Grade S, SF, SFR, SG or WR variants.
- INSULATION:** 1 layer of 50mm of 96 kg/m<sup>3</sup> FyreWrap® Blanket wrapped around the stiffeners following the profile of the aluminium structure.
- INSTALLATION:** The blanket is held by bi-metallic pins (comprised of Ø3mm x 70mm long steel pins mounted in aluminium bosses welded to the plate) retained with Ø38 mm speed clip washers.
- WEIGHT:** 9.6 kg/m<sup>2</sup>
- CERTIFICATION:** BV 13425/C0

This is a legal document and Unifrax own the copyright. Under no circumstances should this document be changed in any way without prior agreement from Unifrax.



VIEW X : Detail at joint  
Otherwise: 1 stud each 240mm  
Blanket installed horizontally  
on stiffener side



VIEW Y : Detail at joint  
Otherwise: 1 stud each 240mm HORIZONTALLY  
1 stud each 340mm VERTICALLY  
Blanket installed vertically on flat side

This is a legal document and Unifrax own the copyright. Under no circumstances should this document be changed in any way without prior agreement from Unifrax.

**FIRE PROTECTION WITH  
INTEGRITY AND TRUST**

