



30 min HSC Deck

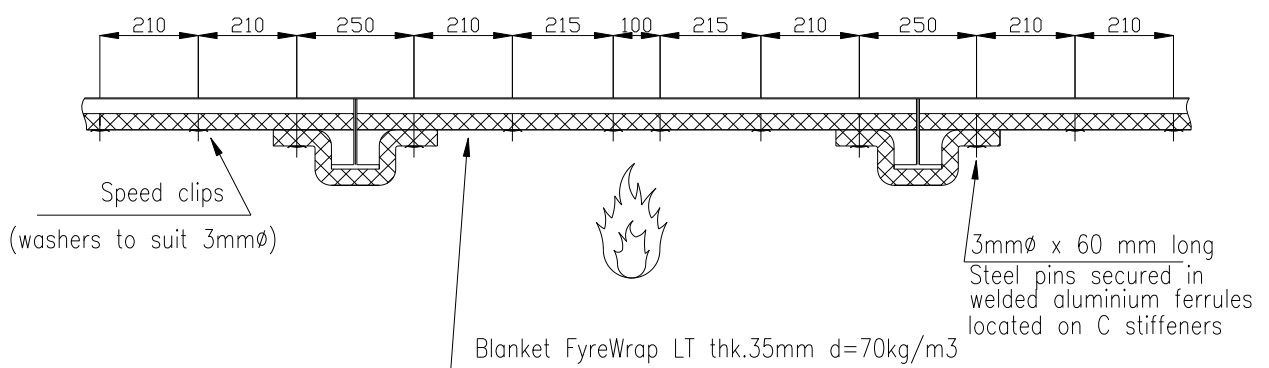
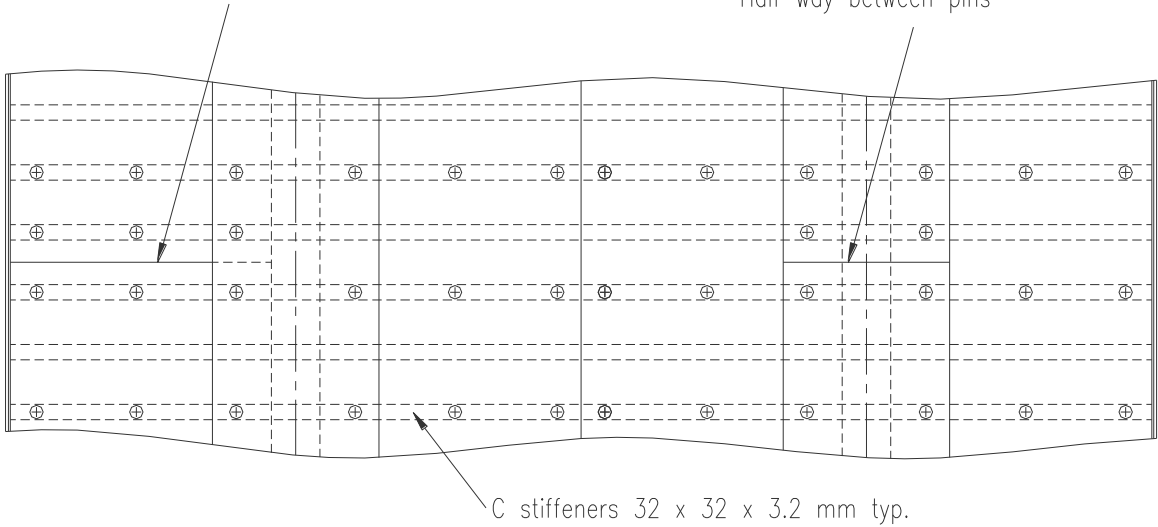
- MATERIAL:** FyreWrap LT Blanket
- INSULATION:** 1 layer of FyreWrap LT Blanket 35 mm x 70 kg/m³
- 1 strip of 350 mm wide 35 mm x 70 kg/m³ blanket installed vertically over the stiffeners.
- INSTALLATION:** The blanket is held by ø3mm steel pins and speed clip washers.
- Steel pins are secured in welded aluminium ferrules. Pins are 60 mm long (100mm long pins used at strips).
- The blanket is installed vertically between the “T” shaped stiffeners.
- WEIGHT:** 2.45 kg/m²
- CERTIFICATION:** Lloyds Reg - LR2004523MB
- SAS F180177-02
DNV.GL - TAF00000HHr1

This is a legal document and Unifrax own the copyright. Under no circumstances should this document be changed in any way without prior agreement from Unifrax.



Typical joint in vertical layer –
Half way between pins

Typical joint in vertical stiffener layer –
Half way between pins



This is a legal document and Unifrax own the copyright. Under no circumstances should this document be changed in any way without prior agreement from Unifrax.

**FIRE PROTECTION WITH
INTEGRITY AND TRUST**

