



# A60 ALUMINIUM BULKHEAD (4mm PLATE)

Fire to either side

**MATERIAL:** FyreWrap® LT Blanket

**INSULATION:** 1 layer of FyreWrap LT Blanket 55mm x 70 kg/m<sup>3</sup> density over the bulkhead plate and stiffeners and layer over the plate on the flat side.

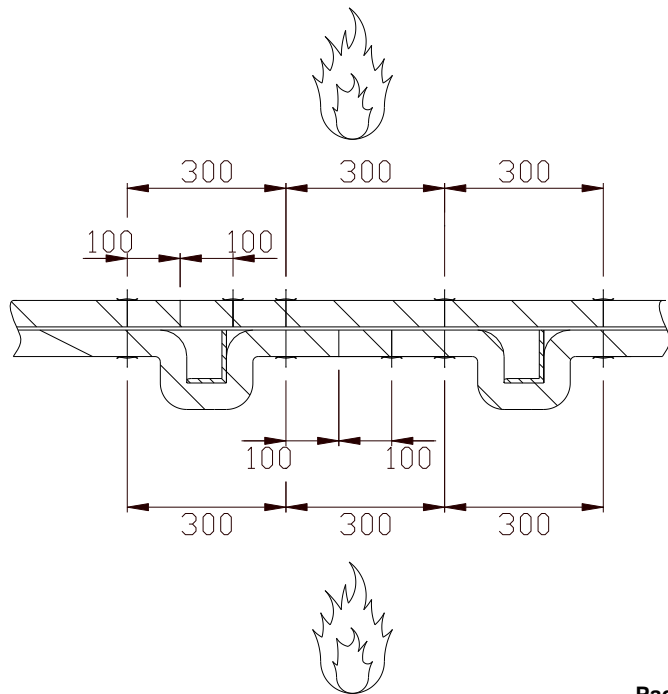
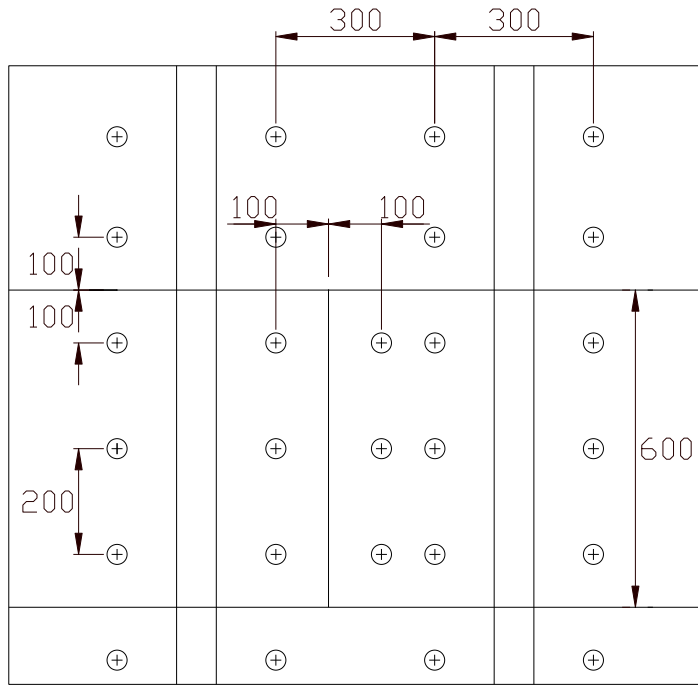
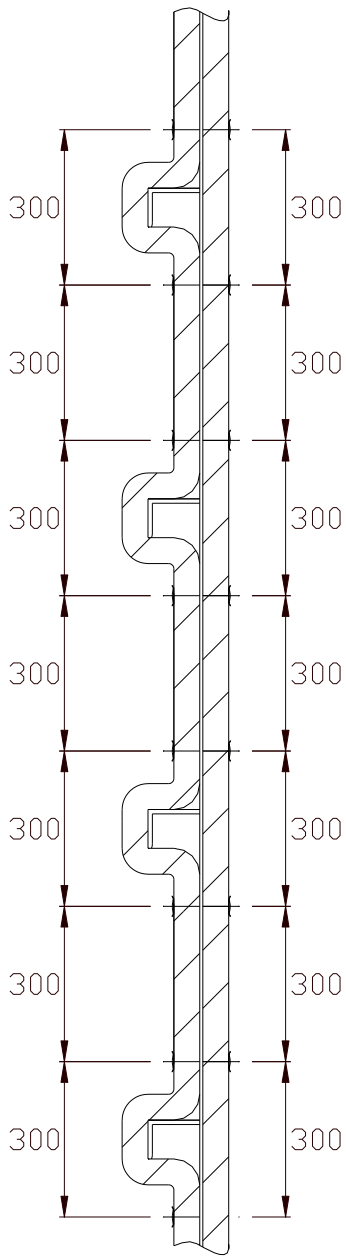
**INSTALLATION:** The blanket is held by ø3mm steel welded pins and speed clips.

The blanket is wrapped around the stiffeners following the profile of the aluminum structure. On the reverse side, the blanket is installed flat against the plate.

The blanket will be installed horizontally on both sides

**WEIGHT:** 7.70kg/m<sup>2</sup>

**CERTIFICATION:** Lloyds Register - LR22171000MB  
- LR22169622SF



This is a legal document and Unifrax own the copyright. Under no circumstances should this document be changed in any way without prior agreement from Unifrax.

**FIRE PROTECTION WITH  
INTEGRITY AND TRUST**

