

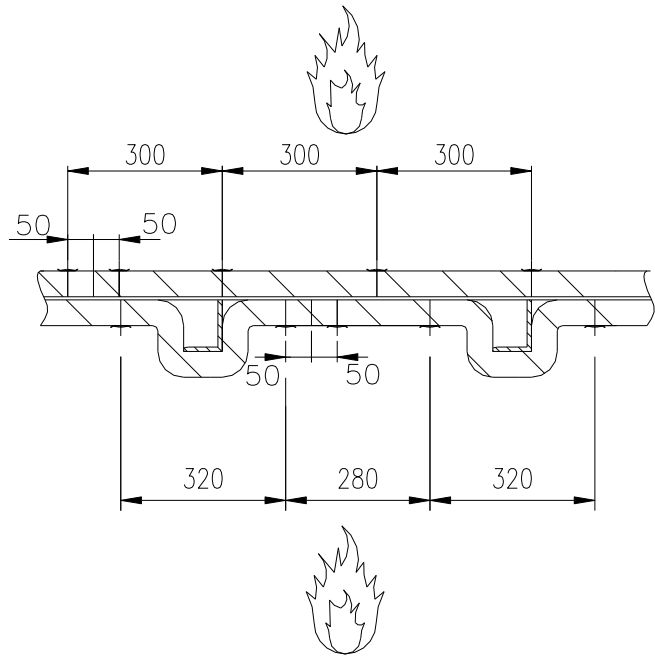
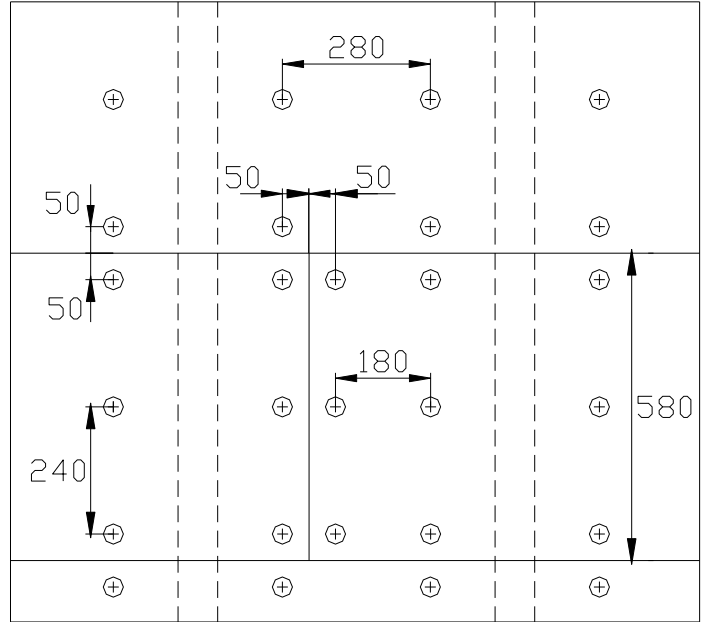
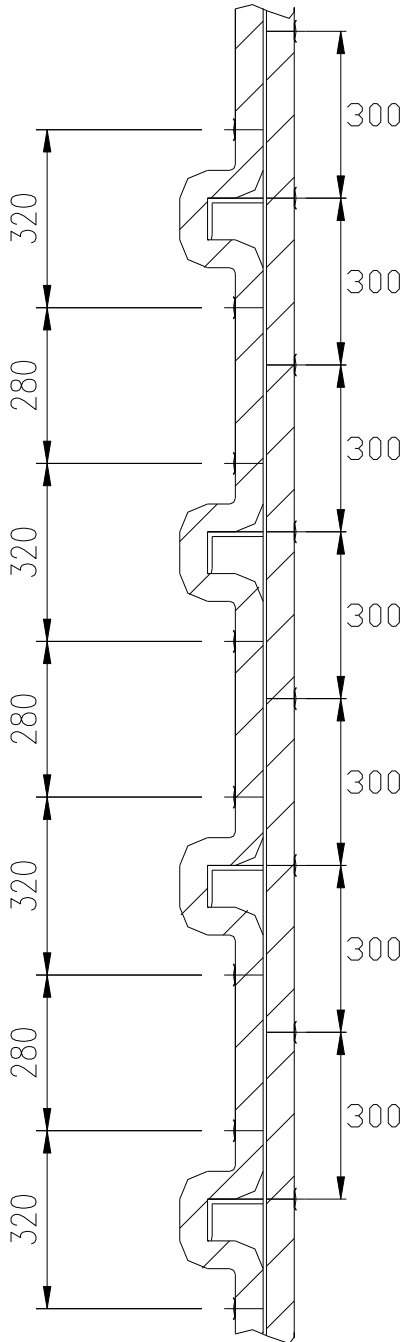
A60 ALUMINIUM BULKHEAD

General Application - Fire to either side

- MATERIAL:** FyreWrap LT Blanket
- INSULATION:** 1 layer of FyreWrap LT Blanket 50mm x 70 kg/m³ density over the bulkhead plate and stiffeners and layer over the plate on the flat side.
- INSTALLATION:** The blanket is held by ø3mm steel welded pins and speed clips.
- The blanket is wrapped around the stiffeners following the profile of the aluminum structure.
- The blanket will be installed horizontally.
- WEIGHT:** 7.00kg/m²
- CERTIFICATION:** Lloyds Register - MED 1850102
- SAS F180137

This is a legal document and Unifrax own the copyright. Under no circumstances should this document be changed in any way without prior agreement from Unifrax.

Drawing Ref:
1218-R3-12 Rev. 4
June 2018



This is a legal document and Unifrax own the copyright. Under no circumstances should this document be changed in any way without prior agreement from Unifrax.

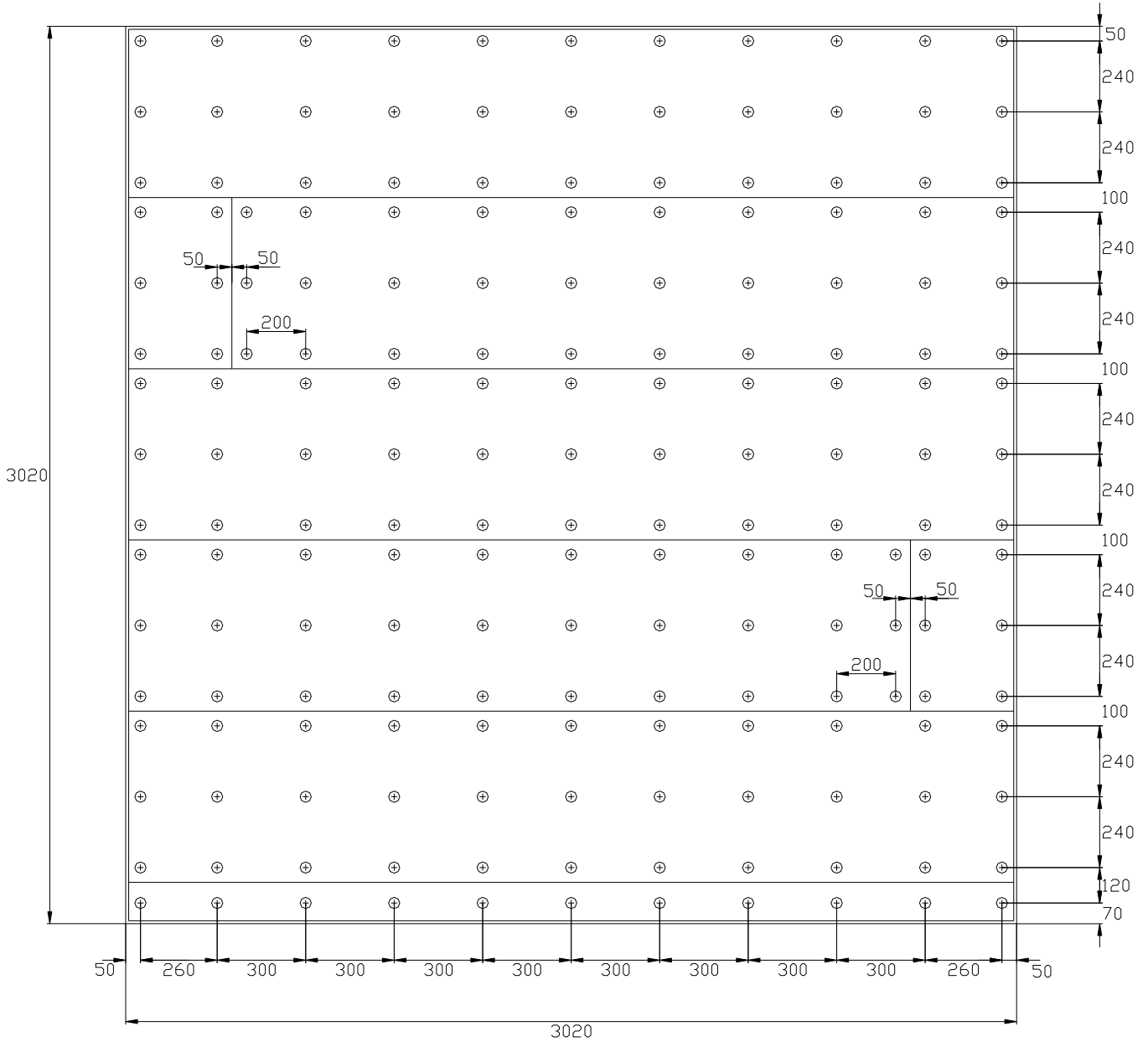
**FIRE PROTECTION WITH
INTEGRITY AND TRUST**



Drawing Ref:

1218-R3-12 Rev. 4

June 2018



This is a legal document and Unifrax own the copyright. Under no circumstances should this document be changed in any way without prior agreement from Unifrax.

**FIRE PROTECTION WITH
INTEGRITY AND TRUST**

