

Drawing Ref:

FP-H7R5

July 2018

FyreWrap[®]

H120 BULKHEAD

General Application – Fire to Either Side

MATERIAL: FyreWrap[®] Blanket
Grade S, SF, SFR, SG or WR variants.

INSULATION: 1 x layer of 50mm thick blanket between stiffeners. 2 x layers of 50mm thick blanket profile wrapped over the stiffeners. 1 x strip of 25mm thick blanket, 300mm wide over each stiffener.

INSTALLATION: The blanket is held by Ø3mm steel welded pins and spring washers. The blankets are wrapped around the stiffeners following the profile of the steel structure.

WEIGHT: 19.2 kg/m²

CERTIFICATION: LR – SAS F160264

This is a legal document and Unifrax own the copyright. Under no circumstances should this document be changed in any way without prior agreement from Unifrax.

Unifrax Limited
Mill Lane, Rainford, St. Helens
Merseyside
England
WA11 8LP

Tel: +44 (0)1744 887600
www.unifrax.com

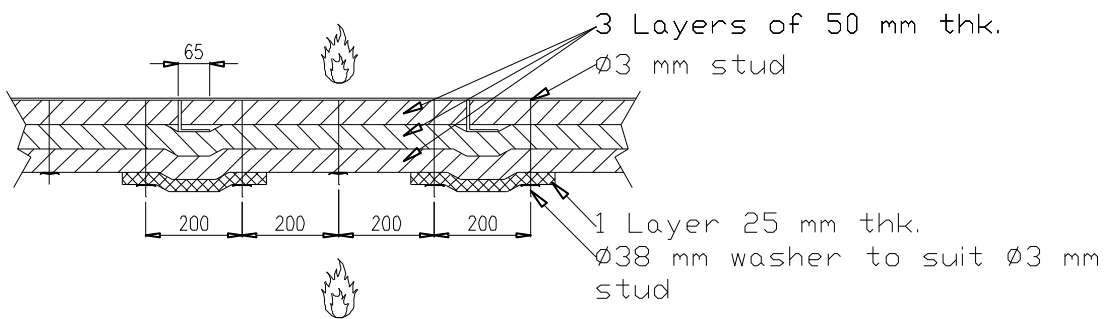
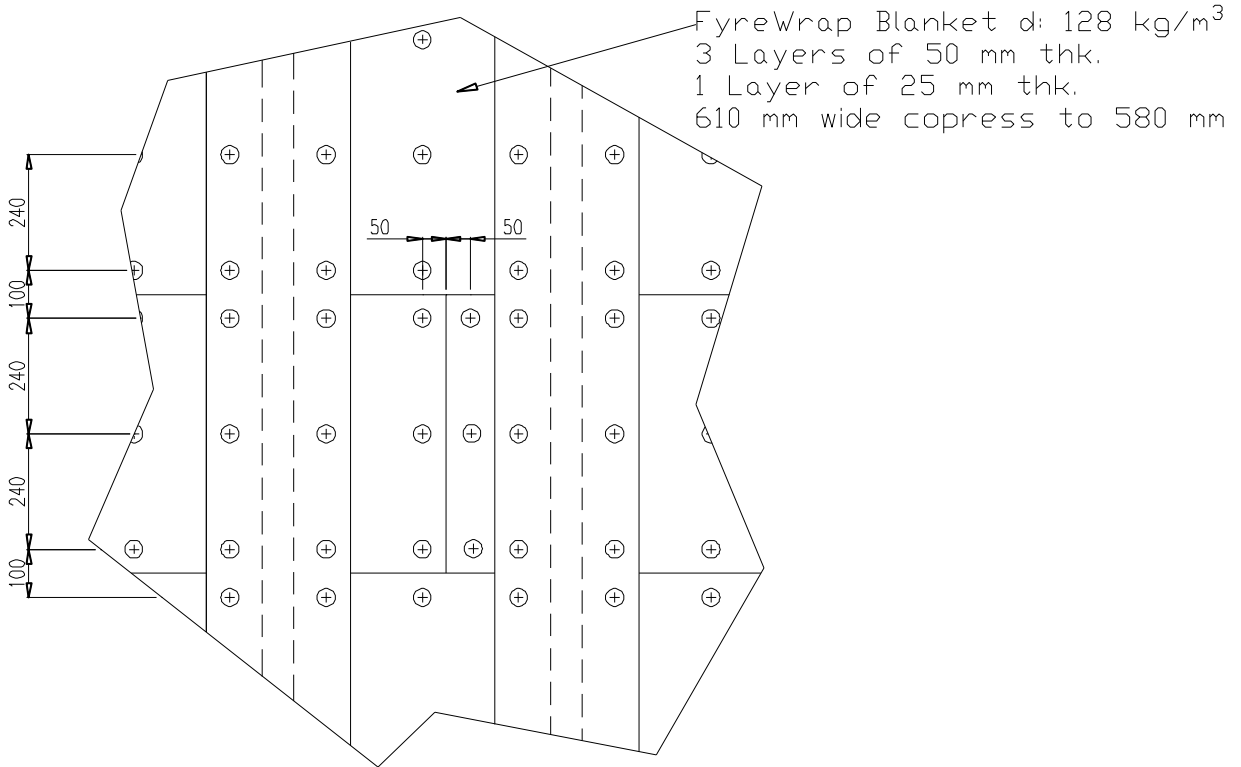


Drawing Ref:

FP-H7R5

July 2018

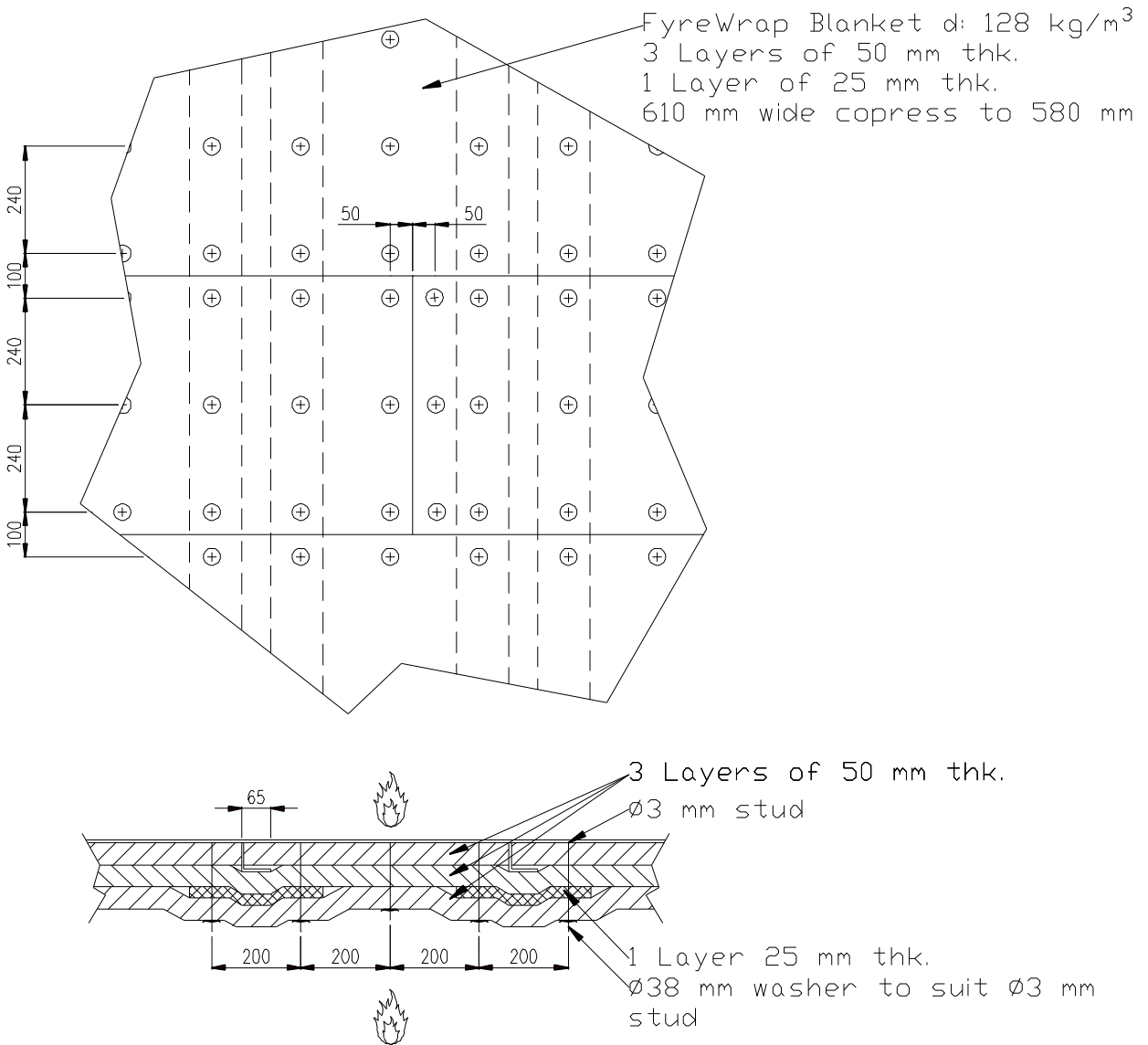
FyreWrap®



This is a legal document and Unifrax own the copyright. Under no circumstances should this document be changed in any way without prior agreement from Unifrax.

**FIRE PROTECTION WITH
INTEGRITY AND TRUST**

Alternative installation



This is a legal document and Unifrax own the copyright. Under no circumstances should this document be changed in any way without prior agreement from Unifrax.

**FIRE PROTECTION WITH
INTEGRITY AND TRUST**

