

Drg. Nr: 1381-R3-09

Doc. Rev. 5

September 2017



30 min HSC Bulkhead Restricted Application

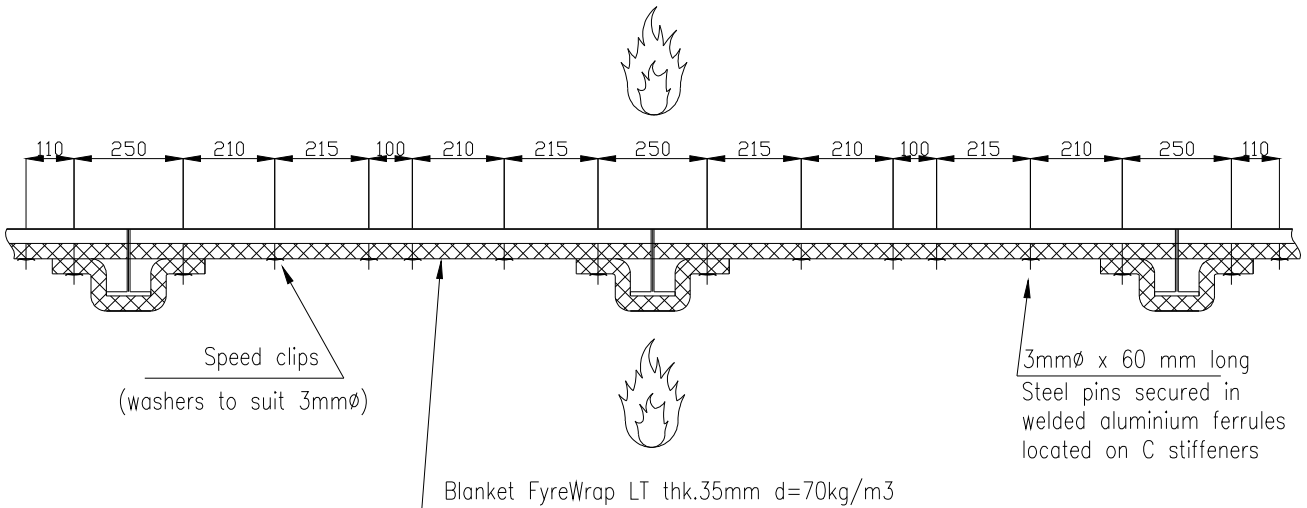
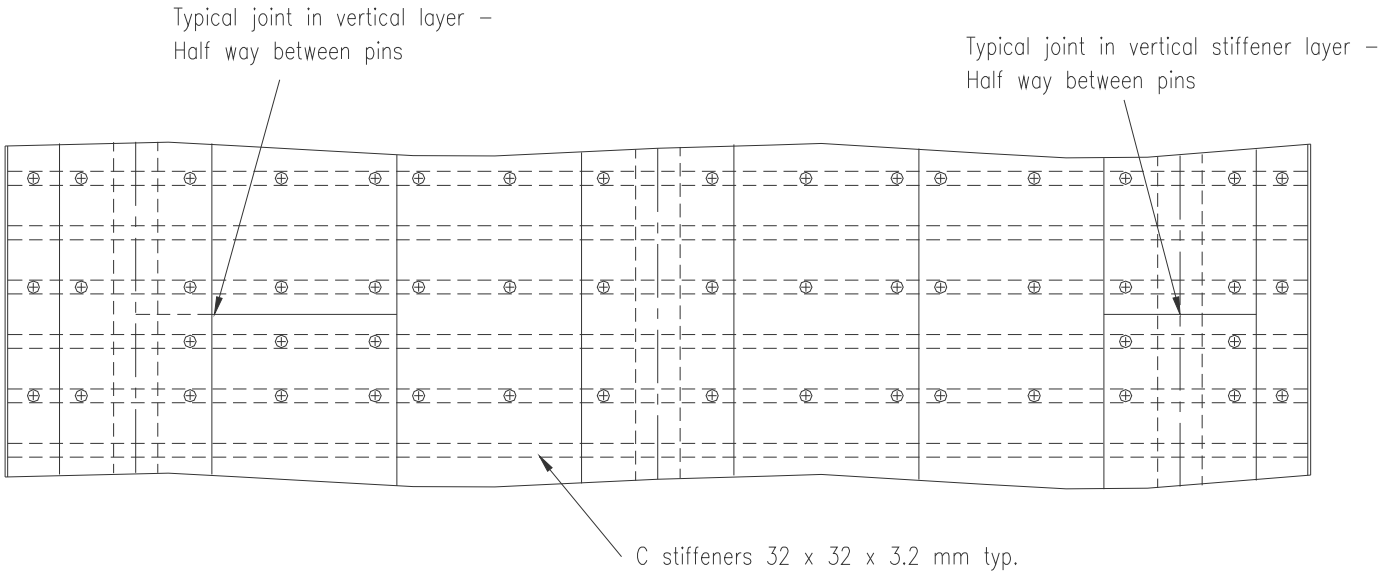
MATERIAL:	FyreWrap LT Blanket
INSULATION:	1 layer of FyreWrap LT Blanket 35 mm x 70 kg/m ³ 1 strip of 350 mm wide 35 mm x 70 kg/m ³ blanket installed vertically over the stiffeners.
INSTALLATION:	The blanket is held by ø3mm steel pins and speed clips washers. Steel pins are secured in welded aluminium ferrules. Pins are 60 mm long (100mm long pins used at strips). The blanket is installed vertically between the "T" shaped stiffeners
WEIGHT:	2.45 kg/m ²
CERTIFICATION:	Lloyds Reg. - MED 1350158 - SAS F130237 DNV.GL - TAF00000HG

This is a legal document and Unifrax own the copyright. Under no circumstances should this document be changed in any way without prior agreement from Unifrax.

Unifrax Limited
Mill Lane, Rainford, St. Helens
Merseyside
England
WA11 8LP

Tel: +44 (0)1744 887600
www.unifrax.com





This is a legal document and Unifrax own the copyright. Under no circumstances should this document be changed in any way without prior agreement from Unifrax.

**FIRE PROTECTION WITH
INTEGRITY AND TRUST**

