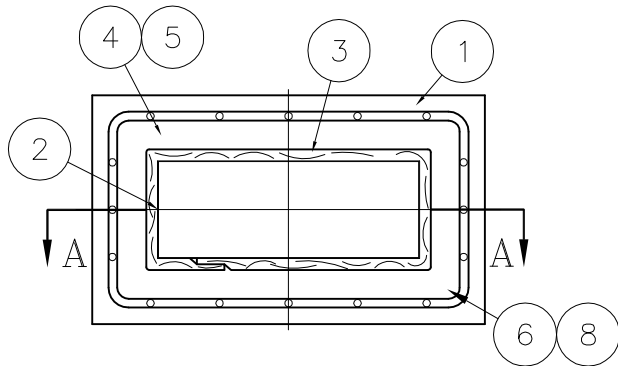


# FyreWrap® Elite® 1.5 Duct Insulation Through Penetration Firestop System

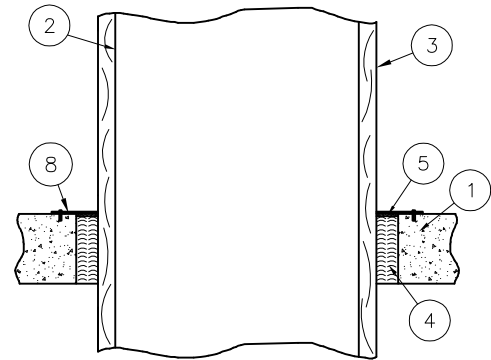
Intertek Design Nos. UNI/FRD 120-21, 120-23, 120-24

Per ISO 6944, ASTM E119, & ASTM E814

- F Rating - 2 Hr
- T Rating - 2 Hr

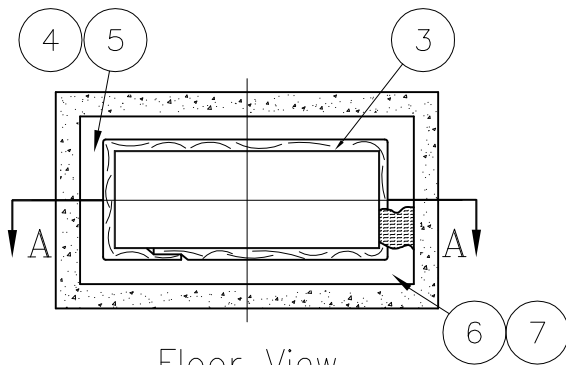


Floor View

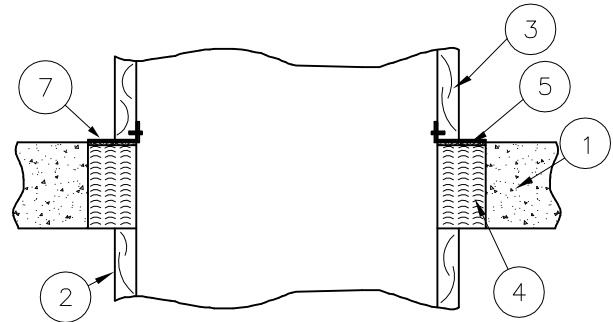


Section "A-A"

## Duct Wrap Insulation Continued through Floor



Floor View



Section "A-A"

## Duct Wrap Insulation Terminated at Floor

| Legend: |   |
|---------|---|
| 1       | Concrete Floor Assembly, 4½" depth  |
| 2       | HVAC duct, min 26 gauge, 1296 in <sup>2</sup> area, max 54" width, and built per SMACNA HVAC Duct Construction Standards  |
| 3       | FyreWrap® Elite® 1.5 Duct Insulation, One Layer   |
| 4       | Unfaced FyreWrap® Elite® 1.5 Blanket, 4½" depth Compressed 33%  |
| 5       | STI SpecSeal SSS, 1/4"<br>Plus ¾" Overlap On Concrete and duct insulation   |
| 6       | Annular Space, 1" to 2"   |
| 7       | Duct Reinforcement: ½" thk. steel angle (1" tall vertical leg x horizontal leg dim. at least equal to width of annular space) Attach using ¼" dia. steel pop-rivets. Spaced max 6" O.C. |
|         | OR  |
| 8       | or Min. ½" thk. steel plate over the firestop sealant (compressing ductwrap ¼" and extending onto floor surface 2") Attach with ¼" dia. concrete screws, spaced 6" O.C.                 |