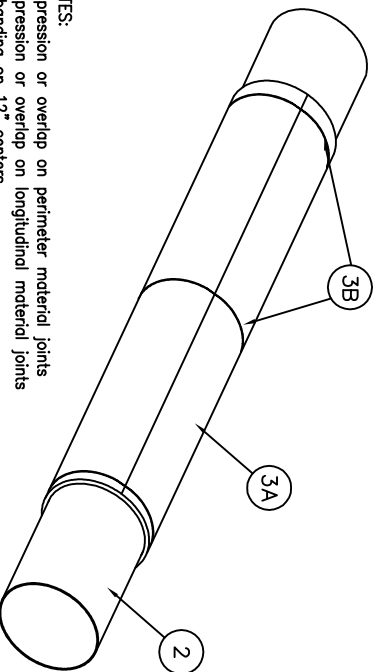


FyreWrap® DPS – Dryer Protection System

FP-950

Figure 1: Max. 7” Dryer Duct, 1-Hour Enclosure

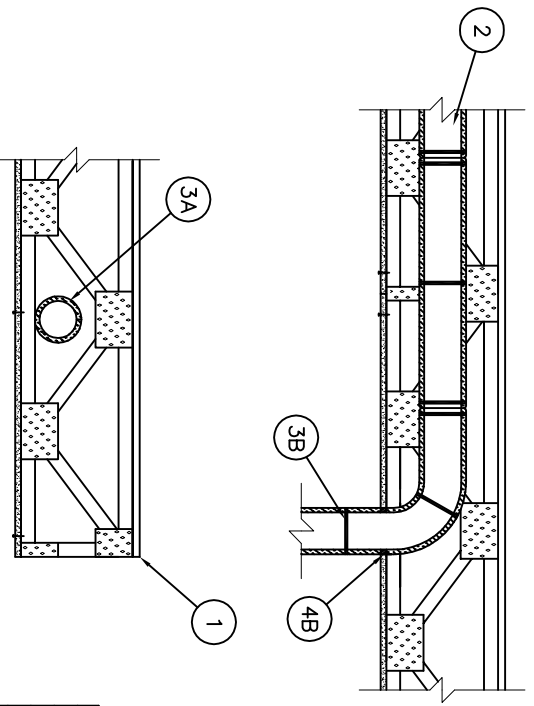


- INSTALLATION NOTES:
- Min. 1” compression or overlap on perimeter material joints
 - Min. 1” compression or overlap on longitudinal material joints
 - The wire or banding on 12” centers
 - Seal all cut edges with aluminum foil tape

UL Assembly No. V-32

FP-950

Figure 2: UL Tested 1-Hour Membrane Penetration

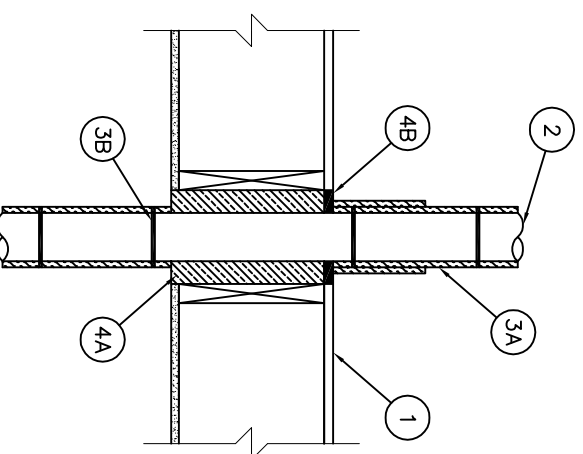


- INSTALLATION NOTES:
- Min. 1” compression or overlap on perimeter material joints
 - Min. 1” compression or overlap on longitudinal material joints
 - The wire or banding on 12” centers
 - Seal all cut edges with aluminum foil tape

Legend:	
1	1 Hr. UL Listed Floor/Ceiling Assembly
2	Max. 7” Dia. 30 ga. or 10” x 4” 26 ga. Duct
3A	FyreWrap® DPS Insulation, One Layer
3B	Min. 18 Gauge Steel Tie Wire or Banding
4A	FyreWrap Blanket (Foil Removed) Packed into Annular Space
4B	Fire Stop Sealant (STI SSS/LCI, HILTI FS-ONE, TREMCO Fyre-SIL)

UL Assembly No. F-C-7058

Figure 3: UL Tested 1-Hour Dryer Duct System



UL Assembly Nos. V-32, F-C-7057