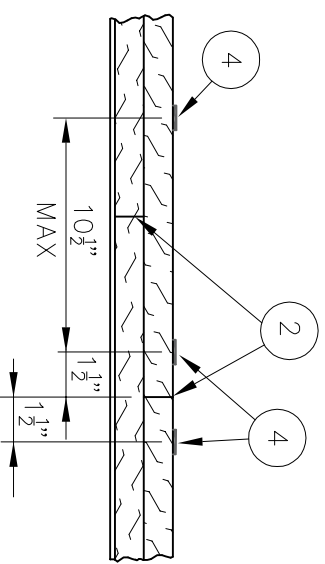
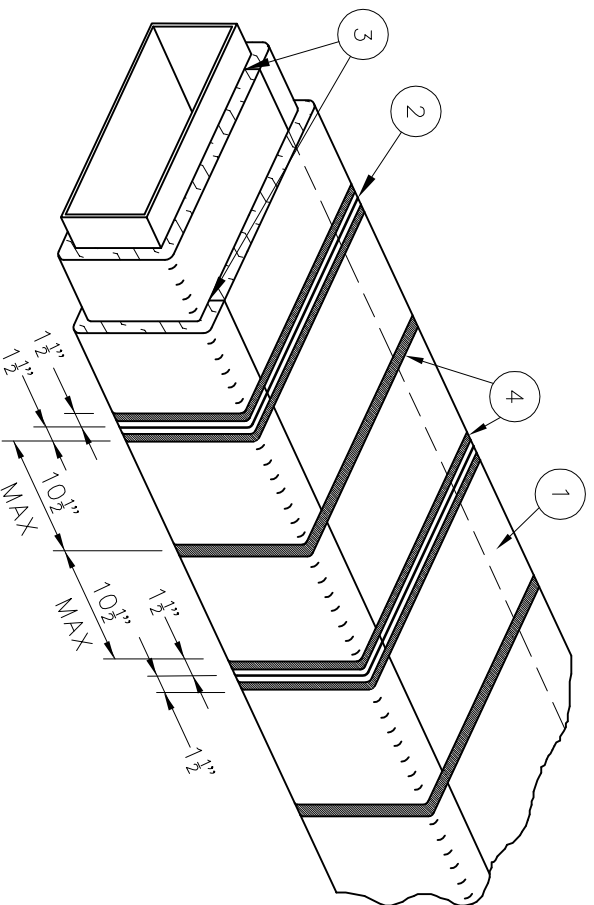


FyreWrap® Elite® 1.5 Duct Insulation
Commercial Kitchen Grease Duct System
ASTM E2336
2 Hour Fire-Rated Enclosure, Shaft Alternative
Zero Clearance to Combustibles
Butt Joint System



Butt-Joint
Adjacent Blanket Pieces

Legend:	
1	Two Layers of FyreWrap® Elite® 1.5 Duct Insulation (each 1.5", total thickness = 3")
2	1" Compressed Butt Joint (Transverse)
3	1" Compressed Butt Joint (Longitudinal)
4	½" Carbon or SS Banding Straps (2nd layer only)
5	Filament Tape (Optional)

* Applies to both horizontal and vertical duct orientations

** Review page 2 prior to installation for detailed instructions