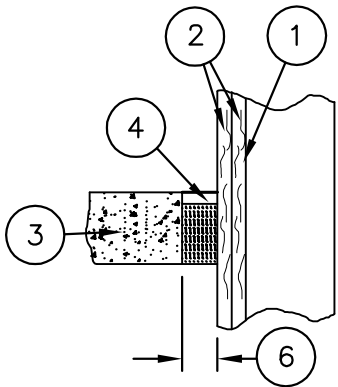
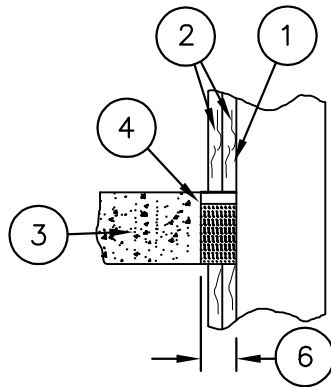


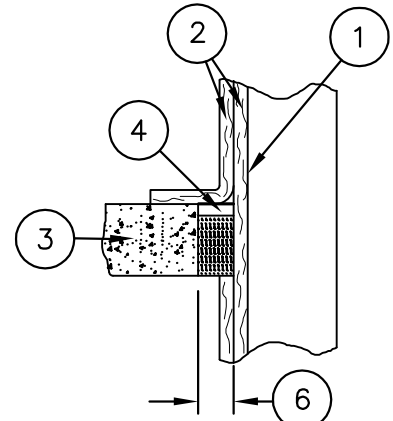
**FyreWrap® Elite® 1.5 Duct Insulation Through Penetration Firestops Floor/Ceiling** FP-691  
**Intertek Design No. UNI/BI 120-02 & 120-14 F-Rating=2 Hrs. T-Rating=2 Hrs**



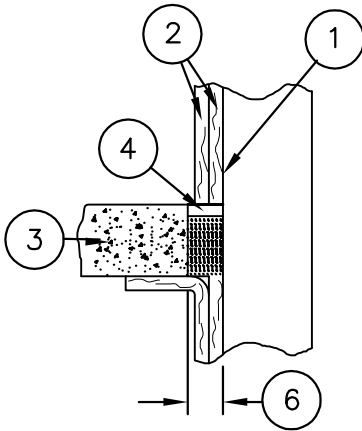
**Section "A-A"**  
**Option 1**



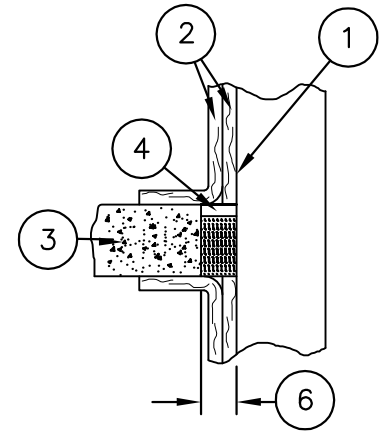
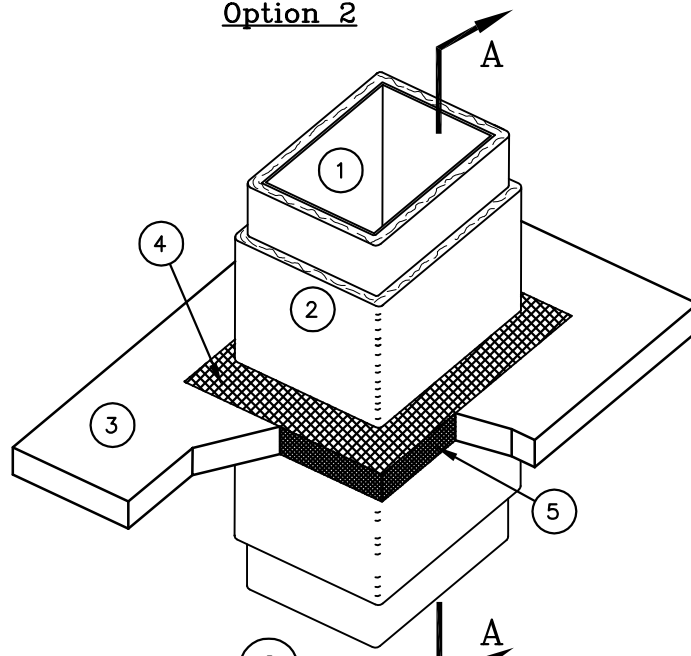
**Section "A-A"**  
**Option 2**



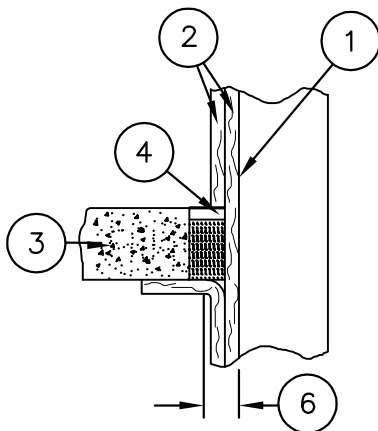
**Section "A-A"**  
**Option 3**



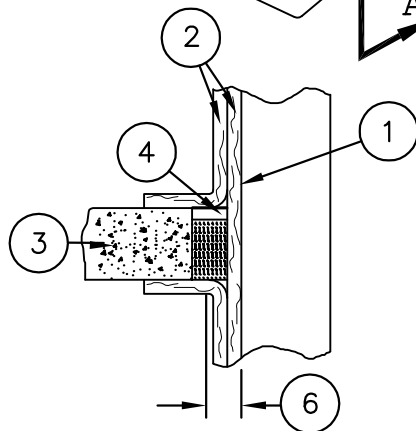
**Section "A-A"**  
**Option 8**



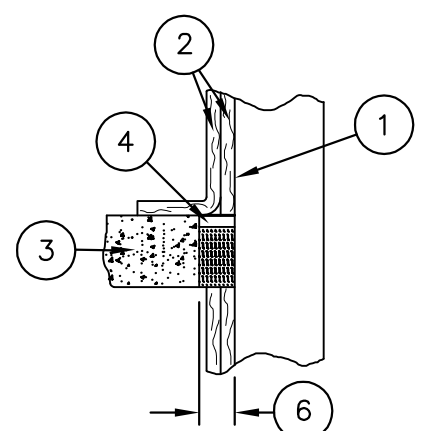
**Section "A-A"**  
**Option 4**



**Section "A-A"**  
**Option 7**



**Section "A-A"**  
**Option 6**



**Section "A-A"**  
**Option 5**

| Legend: |   |
|---------|---|
| 1       | Grease Duct, max. 240in <sup>2</sup> area, 49" max width  |
| 2       | FyreWrap® Elite® 1.5 Duct Insulation, Two Layers  |
| 3       | Fire-Resistive Concrete Floor/Ceiling assembly, 2 hr. rated   |
| 4       | Firestop Sealant, $\frac{3}{8}$ " depth, overlapping on floor and duct min. $\frac{1}{2}$ "<br>3M Fire Barrier 1000NS or Hilti FS-ONE or STI SpecSeal SSS or Tremco FyreSil |
| 5       | Unfaced FyreWrap® Elite® 1.5 or 4 PCF Mineral Wool compressed<br>50% option 1 and 33% options 2-8, recessed $\frac{3}{8}$ " from top side of floor                          |
| 6       | Annular space, $\frac{1}{2}$ " to $4\frac{1}{2}$ "  |