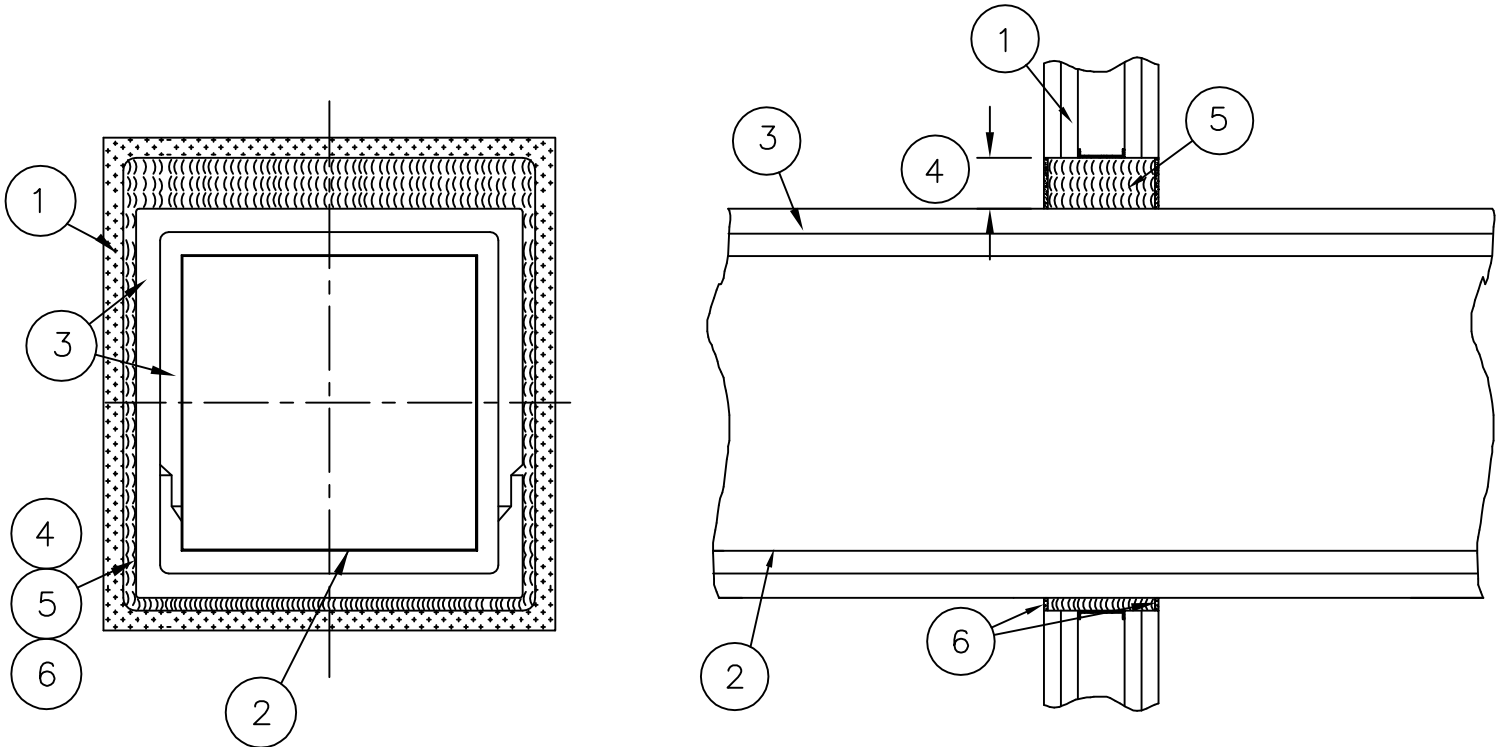



**FyreWrap® Elite® 1.5 Duct Insulation**  
**Through Penetration Firestop System**  
 Intertek Design No. UNI/FRD 120-19  
F-Rating = 2 hour, T-Rating = 2 hour



Legend:	
1	Gypsum Wallboard Assembly, 2 hr. rated
2	Grease Duct, 16 gauge, max. 70"x70"
3	FyreWrap® Elite® 1.5 Duct Insulation, Two Layers
4	Annular Space; min. 0" to max. 3½"
5	Unfaced FyreWrap® Elite® 1.5 blanket compressed 48%.
6	Specified Technologies spec seal SSS100 intumescent firestop sealant ⅝" nominal depth, both sides of wall and overlapped ½" onto duct and wall surfaces.

Revisions	Comments
▲06-03-15	



SUBJECT- FyreWrap® Elite® 1.5 Duct Insulation  
70"x70" Firestop System

LOCATION- \_\_\_\_\_  
 BLDG. NO.- \_\_\_\_\_ DATE- 09-09-2005  
 DRAWN- S.A.Rustay ENGINEER APPROVAL- \_\_\_\_\_  
 SCALE- N.T.S. DATE SIGNED- \_\_\_\_\_

DRAWING NO. FP-429	PROJECT NO.
-----------------------	-------------