



A30 ALUMINIUM BULKHEAD (4mm PLATE)

Restricted Application

MATERIAL: FyreWrap® LT Blanket

INSULATION: 1 layer of FyreWrap LT Blanket 55mm x 70 kg/m³ density over the bulkhead plate and stiffeners

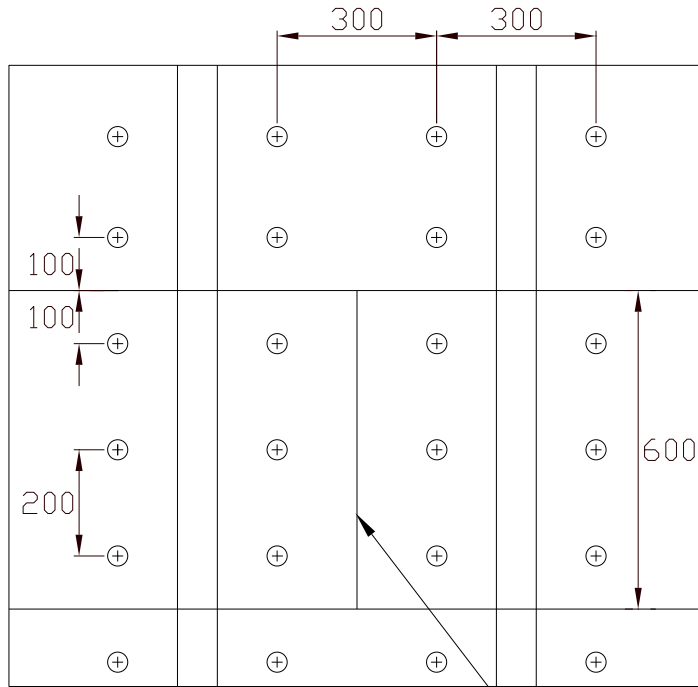
INSTALLATION: The blanket is held by ø3mm steel pins in welded aluminium alloy base and speed clips.

The blanket is wrapped around the stiffeners following the profile of the aluminum structure.

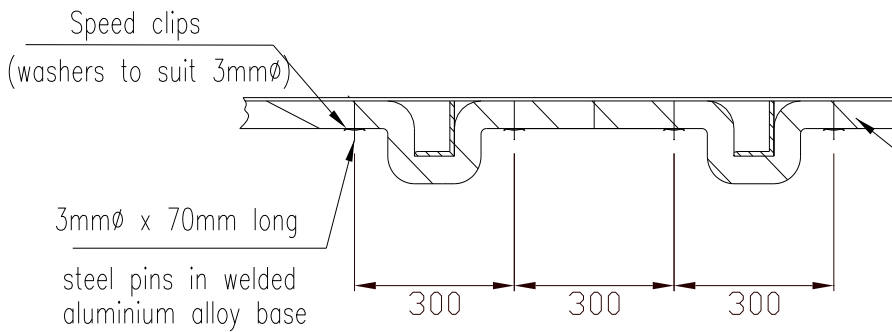
The blanket will be installed horizontally.

WEIGHT : 3.85kg/m²

CERTIFICATION: Lloyds Register – MED 1950104
– SAS F190103



Note:
Blanket joint location may
be placed at any point
in between pins



Blanket FyreWrap LT thk.55mm d=70kg/m³
610 mm wide compressed to 600 mm